



---

## CERTIFICATE OF APPROVAL

### No CF 297

---

This is to certify that, in accordance with  
TS00 General Requirements for Certification of Fire Protection Products  
The undermentioned products of

## HODGSON SEALANTS (HOLDINGS) LIMITED

Belprin Road, Beverley, East Yorkshire, HU17 0LN

Tel: 01482 868321 Fax: 01482 870729

[sales@hodgsonsealants.com](mailto:sales@hodgsonsealants.com)

Have been assessed against the requirements of the Technical Schedule(s)  
denoted below and are approved for use subject to the conditions  
appended hereto:

---

#### CERTIFIED PRODUCT

Firestrip 30  
Firestrip 30FD  
Firestrip 60

#### TECHNICAL SCHEDULE

TS25 Fire Resistant Glass,  
Glazing Systems and Materials

Signed and sealed for and on behalf of Exova (UK) Limited trading as  
Warrington Certification

Paul Duggan  
Certification Manager



Issued: 27<sup>th</sup> August 2002  
Revised: 18<sup>th</sup> February 2019  
Valid to: 17<sup>th</sup> May 2019





## CERTIFICATE No CF 297

### HODGSON SEALANTS (HOLDINGS) LIMITED

#### FIRESTRIP 30, FIRESTRIP 30FD & FIRESTRIP 60 GLAZING SYSTEMS

This Certificate of Approval relates to the fire resistance of various Firestrip glazing methods when used in timber screens and timber door leaves, for a period of 30 or 60 minutes fire resistance, as defined in BS 476: Part 22: 1987 subject to the undermentioned conditions.

This certification is designed to demonstrate compliance of the product or system specifically with Approved Document B (England and Wales), Section D of the Technical Standards (Scotland), Technical Booklet E (N. Ireland). If compliance is required to other regulatory or guidance documents there may be additional considerations or conflict to be taken into account.'

Glazing Seal Specification	Glass Specification	Application	Fire Resistance Performance (mins)		Page No.
			Integrity	Insulation	
Firestrip 30	Pyroshield 2 / Pyrodur Plus / Pyran S / Firelite / Pyroguard C & W / Pyrostem / Pyrostem 2 / Pyrodur / Pyranova 15 S2.0/2.1 / Firesafe 30-15 and 30-16 O	Timber doorsets	30	0	5
Firestrip 30	Pyrotech 630	Timber doorsets	30	0	6
Firestrip 30	Pyranova 11	Timber doorsets	30	30	7
Firestrip 30	Pyrostop 15/18	Timber doorsets	30	30	8
Firestrip 60	Pyrodur 10	Timber doorsets	60	0	9
Firestrip 60	Pyrostop 23	Timber doorsets	60	60	10
Firestrip 30	Pyran S	Timber screens	30	0	11
Firestrip 30	Pyroshield 2	Timber screens	30	0	12
Firestrip 30FD	Pyroshield 2 / Pyran S / Pyroguard C & W / Firelite	Timber screens	30	0	13
Firestrip 30	Pyroshield 2 / Pyran S / Pyrodur Plus / Firelite / Pyroguard C & W / Pyrobelite / Pyrostop / Pyrobel / Pyrodur / Contraflam / Pyranova 15 S2.0/2.1	Timber screens	30	0 – 30 (depending on glass)	14
Firestrip 30	Pyrotech 630	Timber screens	30	0	15
Firestrip 30	Pyrostop 15/18	Timber screens	30	30	16
Firestrip 60	Pyrodur 10	Timber screens	60	0	17
Firestrip 60	Pyrostop 23	Timber screens	60	60	18

This product is approved on the basis of:

- i) Initial type testing
- ii) A design appraisal against TS25
- iii) Certification of quality management system to ISO 9001: 2008.
- iv) Inspection and surveillance of factory production control
- v) Audit Testing in accordance with TS25

This Certificate of Approval must be read in conjunction with CERTIFIRE Technical Schedule TS25, Fire Resistant Glass, Glazing Systems and Materials.

Page 2 of 18 Signed  
E/236

Issued: 27<sup>th</sup> August 2002  
Revised: 18<sup>th</sup> February 2019  
Valid to: 17<sup>th</sup> May 2019



---

## CERTIFICATE No CF 297

### HODGSON SEALANTS (HOLDINGS) LIMITED

---

#### FIRESTRIP 30, FIRESTRIP 30FD & FIRESTRIP 60 GLAZING SYSTEMS

#### Production

This approval relates to ongoing production. Product and/or its immediate packaging is identified with the manufacturer's name, the product name or number, the CERTIFIRE name or name and mark, together with the CERTIFIRE certificate number and application when appropriate.

#### General Requirements

Where the system and glass is installed in a timber screen, the orientation of the screen shall be no more than  $\pm 10^\circ$  from the vertical.

There is no restriction to the direction of exposure for the glazing methods i.e. the systems are symmetrical.

Any number of panes may be included in the screens/door leaves covered below providing the framing system/door leaf is capable of supporting this principle.



---

## CERTIFICATE No CF 297

### HODGSON SEALANTS (HOLDINGS) LIMITED

---

#### General Requirements – Timber Doorset Applications

There is no restriction to the direction of exposure for the glazing methods i.e. the systems are symmetrical.

Any number of panes may be included in the door leaves covered below providing the door leaf is capable of supporting this principle.

The Hodgson Firestrip 30 and Firestrip 60 Tape may be fitted in the manner described in this Certificate of Approval, to previously tested door leaves provided that the particular aspects of the door assembly are maintained. These are described below but are not exhaustive:

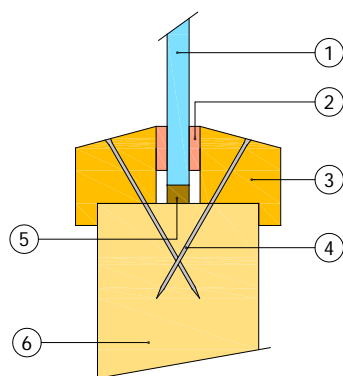
1. The doorset, including door frame and associated building hardware, should have achieved at least 30 or 60 minutes integrity when tested or subsequently assessed by one of the laboratories or approved by CERTIFIRE as acceptable for this purpose to BS 476: Part 22: 1987 or BS EN 1634-1: 2000.
2. If the proposed doorset is to be used in double-leaf configuration, the test or assessment evidence should be applicable to double-leaf configurations.
3. Likewise, if the proposed doorset is to be used in the unlatched configuration the available evidence should be applicable to unlatched doorsets.
4. The proposed doorset should also have included a glazed aperture or apertures of the intended size, shape, area and number.
5. When used to glaze CERTIFIRE approved doorsets, which have smaller apertures than allowed in this certificate, the aperture sizes specified in the doorset certificate shall take precedence.
6. For installation within particle core doors (i.e. comprising chipboard or flaxboard cores), an aperture liner (min. 6 mm thick with a min. density of 650kg/m<sup>3</sup>) is required. Solid timber cored doors or joinery type doors do not require an aperture liner providing the core/stiles/rails are of solid timber with a min. density of 650kg/m<sup>3</sup>. **Core incorporating voids or hollow tubes should not be glazed using this system unless a 6 mm hardwood aperture liner is fitted within the perimeter of the aperture.**

In this way the proposed use of the Hodgson Firestrip 30 and Firestrip 60 tapes with glazed apertures, as provided within the scope of this Certificate, is not expected to affect the performance of the leaf.

## CERTIFICATE No CF 297 HODGSON SEALANTS (HOLDINGS) LIMITED

### FIRESTRIP 30 GLAZING SYSTEM

Firestrip 30 for use in timber doors for periods of 30 minutes integrity only



- 1 Pyroshield 2 / Pyrodur Plus / Pyran S / Firelite / Pyroguard C & W / Pyrostem / Pyrostem 2 / Pyrodur / Pyranova 15 S2.0/2.1
- 2 12 mm wide by 3 mm thick Firestrip 30 glazing seal
- 3 Hardwood glazing beads 21 mm high by 22 mm wide (minimum) including 6 mm high by 6 mm wide bolection with 10 - 15° chamfer, minimum density 640 kg/m<sup>3</sup>
- 4 50 mm long steel pins or screws at 100 mm centres (30-45° to glass) and nominally 50 mm from each corner.
- 5 Non-combustible / hardwood setting blocks
- 6 Nominally 44 mm thick FD30 door leaf

The doorset shall be CERTIFIRE approved or have test evidence for the inclusion of apertures of the proposed dimensions.

This Certificate of Approval relates to the sizes of Pyroshield 2 / Pyrodur Plus / Pyran S / Firelite / Pyroguard C & W / Pyrostem / Pyrostem 2 / Pyrodur / Pyranova 15 S2.0/2.1 glass shown in Table 1 below, when used in conjunction with the above system.

Glass	Maximum Glass Height	Maximum Glass Width	Maximum Glass Area
Pyroshield 2	875 mm (at 651 mm wide)	758 mm (at 752 mm high)	0.57 m <sup>2</sup>
Pyran S	875 mm (at 651 mm wide)	758 mm (at 752 mm high)	0.57 m <sup>2</sup>
Pyroguard C & W	875 mm (at 651 mm wide)	758 mm (at 752 mm high)	0.57 m <sup>2</sup>
Firelite	875 mm (at 651 mm wide)	758 mm (at 752 mm high)	0.57 m <sup>2</sup>
Pyrodur Plus	2358 mm (at 950 mm wide)	1093 mm (at 2050 mm high)	2.24 m <sup>2</sup>
Pyrostem	875 mm (at 651 mm wide)	758 mm (at 752 mm high)	0.57 m <sup>2</sup>
Pyrostem 2	875 mm (at 651 mm wide)	758 mm (at 752 mm high)	0.57 m <sup>2</sup>
Pyrodur	875 mm (at 651 mm wide)	758 mm (at 752 mm high)	0.57 m <sup>2</sup>
Pyranova 15 S2.0/2.1	875 mm (at 651 mm wide)	758 mm (at 752 mm high)	0.57 m <sup>2</sup>
Firesafe 30-15 and 30-16 O	875 mm (at 651 mm wide)	758 mm (at 752 mm high)	0.57 m <sup>2</sup>

The aspect ratio of the glass may be unlimited within these glass dimensions

**Table 1. Maximum Permitted Glass Dimensions**

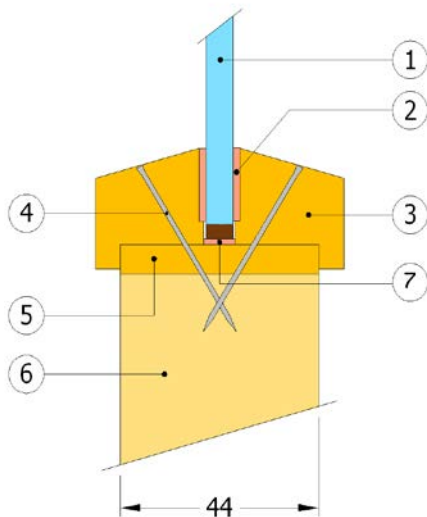
## CERTIFICATE No CF 297 HODGSON SEALANTS (HOLDINGS) LIMITED

### FIRESTRIP 30 GLAZING SYSTEM

#### Firestrip 30 for use in timber doors for periods of 30 minutes integrity only

For this application the following conditions shall apply:

The glass shall be glazed utilising the following basic specification:



- 1 ESG PYROTECH™ 630 glass (edge of glass wrapped with Aluminium foil) or laminate constructions utilising combinations of approved ESG PYROTECH™ Fire Resistant Glass (See CF628 for glass types)
- 2 Hodgson Sealants Firestrip 30
- 3 20 mm high by 22 mm wide including a 5x5 mm bevel return (chamfered by 15°) softwood, MDF or hardwood glazing beads, minimum density 510 kg/m<sup>3</sup>.
- 4 40 mm long Ø1.5 mm steel pins at 150 mm centres and 50 mm from corners (35° to glass).
- 5 No liner required (except where specifically required in the door certificate).
- 6 Nominally 44 mm thick FD30 timber based door leaf (thicker leaf may be required to accommodate laminated glass with required bead dimensions).
- 7 Optional non-combustible setting blocks (not required).

The doorset shall be CERTIFIRE approved or have test evidence for the inclusion of apertures of the proposed dimensions.

This Certificate of Approval relates to the sizes of ESG PYROTECH™ 630 glass shown in Table 2 below, when used in conjunction with the above system.

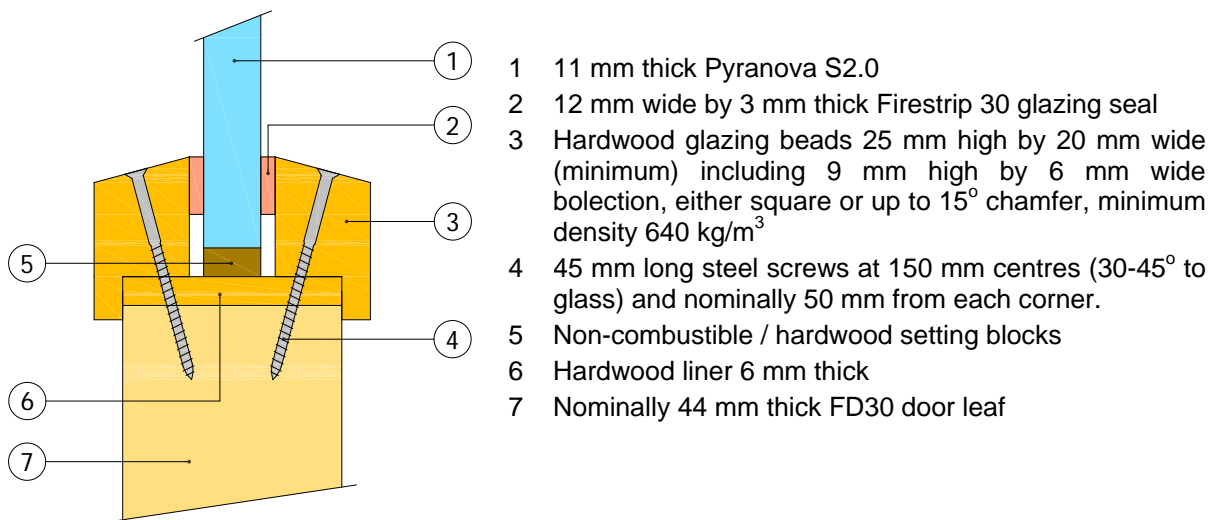
Glass	Maximum Glass Height	Maximum Glass Width	Maximum Glass Area
ESG PYROTECH™ 630	1680 mm (at 450 mm wide)	540 mm (at 1400 mm high)	0.76 m <sup>2</sup>
The aspect ratio of the glass may be unlimited within these glass dimensions			

**Table 2. Maximum Permitted Glass Dimensions**

## CERTIFICATE No CF 297 HODGSON SEALANTS (HOLDINGS) LIMITED

### FIRESTRIP 30 GLAZING SYSTEM

Firestrip 30 for use in timber doors for periods of 30 minutes integrity and insulation



- 1 11 mm thick Pyranova S2.0
- 2 12 mm wide by 3 mm thick Firestrip 30 glazing seal
- 3 Hardwood glazing beads 25 mm high by 20 mm wide (minimum) including 9 mm high by 6 mm wide bolection, either square or up to 15° chamfer, minimum density 640 kg/m<sup>3</sup>
- 4 45 mm long steel screws at 150 mm centres (30-45° to glass) and nominally 50 mm from each corner.
- 5 Non-combustible / hardwood setting blocks
- 6 Hardwood liner 6 mm thick
- 7 Nominally 44 mm thick FD30 door leaf

The doorset shall be CERTIFIRE approved or have test evidence for the inclusion of apertures of the proposed dimensions.

This Certificate of Approval relates to the sizes of Pyranova glass shown in Table 3 below, when used in conjunction with the above system.

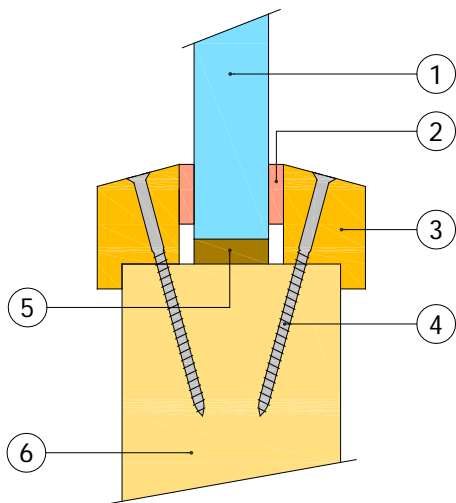
Glass	Maximum Glass Height	Maximum Glass Width	Maximum Glass Area
11 mm Pyranova	1642 mm (at 493 mm wide)	900 mm (at 900 mm high)	0.81 m <sup>2</sup>
The aspect ratio of the glass may be unlimited within these glass dimensions			

**Table 3. Maximum Permitted Glass Dimensions**

## CERTIFICATE No CF 297 HODGSON SEALANTS (HOLDINGS) LIMITED

### FIRESTRIP 30 GLAZING SYSTEM

Firestrip 30 for use in timber doors for periods of 30 minutes integrity and insulation



- 1 Pyrostop 15/18
- 2 12 mm wide by 3 mm thick Firestrip 30 glazing seal
- 3 Hardwood glazing beads 20 mm high by 16.5 mm wide (minimum) including 5 mm high by 5 mm wide bolection, either square or up to 15° chamfer, minimum density 640 kg/m<sup>3</sup>
- 4 60 mm long steel screws at 150 mm centres (30-45° to glass) and nominally 50 mm from each corner.
- 5 Non-combustible / hardwood setting blocks
- 6 Nominally 44 mm thick FD30 door leaf

The doorset shall be CERTIFIRE approved or have test evidence for the inclusion of apertures of the proposed dimensions.

This Certificate of Approval relates to the sizes of Pyrostop glass shown in Table 4 below, when used in conjunction with the above system. The aspect ratio of the glass may be unlimited within these aperture dimensions.

Glass	Maximum Glass Height	Maximum Glass Width	Maximum Glass Area
Pyrostop 15/18	2250 mm (at 1000 mm wide)	1000 mm (at 2250 mm high)	2.25 m <sup>2</sup>
The aspect ratio of the glass may be unlimited within these glass dimensions			

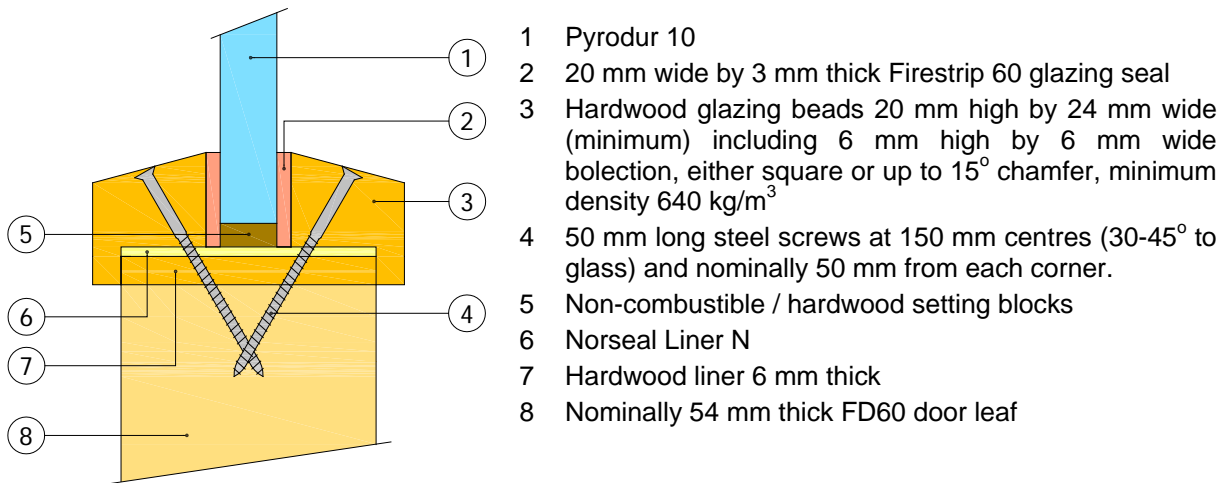
Table 4. Maximum Permitted Glass Dimensions



## CERTIFICATE No CF 297 HODGSON SEALANTS (HOLDINGS) LIMITED

### FIRESTRIP 60 GLAZING SYSTEM

Firestrip 60 for use in timber doors for periods of 60 minutes integrity only



The doorset shall be CERTIFIRE approved or have test evidence for the inclusion of apertures of the proposed dimensions.

This Certificate of Approval relates to the sizes of Pyrodur 10 glass shown in Table 5 below, when used in conjunction with the above system. The aspect ratio of the glass may be unlimited within these aperture dimensions.

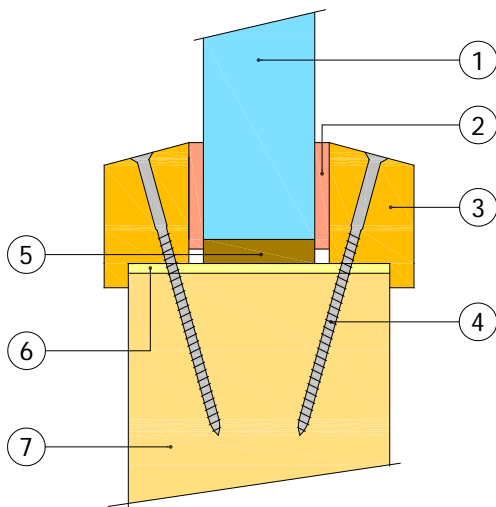
Glass	Maximum Glass Height	Maximum Glass Width	Maximum Glass Area
Pyrodur 10	1950 mm (at 800 mm wide)	867 mm (at 1800 mm high)	1.56 m <sup>2</sup>
The aspect ratio of the glass may be unlimited within these glass dimensions			

Table 5. Maximum Permitted Glass Dimensions

## CERTIFICATE No CF 297 HODGSON SEALANTS (HOLDINGS) LIMITED

### FIRESTRIP 60 GLAZING SYSTEM

Firestrip 60 for use in timber doors for periods of 60 minutes integrity and insulation



- 1 Pyrostop 23
- 2 20 mm wide by 3 mm thick Firestrip 60 glazing seal
- 3 Hardwood glazing beads 25 mm high by 17.5 mm wide (minimum) including 5 mm high by 5 mm wide bolection, either square or up to 15° chamfer, minimum density 640 kg/m<sup>3</sup>
- 4 60 mm long steel screws at 100 mm centres (30-45° to glass) and nominally 50 mm from each corner.
- 5 Non-combustible / hardwood setting blocks
- 6 Norseal Liner N
- 7 Nominally 54 mm thick FD60 door leaf

The doorset shall be CERTIFIRE approved or have test evidence for the inclusion of apertures of the proposed dimensions.

This Certificate of Approval relates to the sizes of Pyrostop 23 glass shown in Table 6 below, when used in conjunction with the above system.

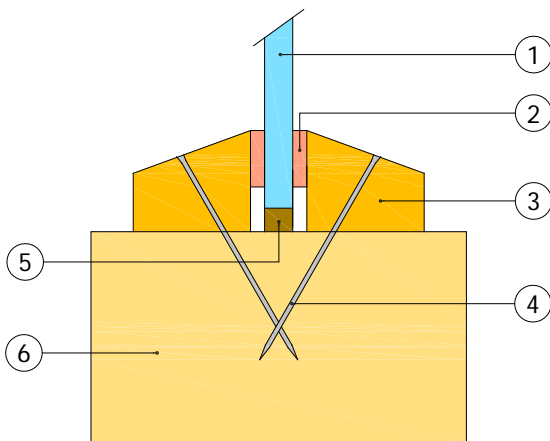
Glass	Maximum Glass Height	Maximum Glass Width	Maximum Glass Area
Pyrostop 23	2250 mm (at 800 mm wide)	1000 mm (at 1800 mm high)	1.80 m <sup>2</sup>
The aspect ratio of the glass may be unlimited within these glass dimensions			

**Table 6. Maximum Permitted Glass Dimensions**

## CERTIFICATE No CF 297 HODGSON SEALANTS (HOLDINGS) LIMITED

### FIRESTRIP 30 GLAZING SYSTEM

Firestrip 30 in timber framed screens for periods of 30 minutes integrity only



- 1 Pyran S
- 2 12 mm by 3 mm 'Firestrip 30' glazing seal
- 3 Hardwood glazing beads 21.5 mm high by 25 mm wide (minimum) with 10 - 20° chamfer, minimum density 650 kg/m<sup>3</sup>
- 4 50 mm long steel pins or screws at 150 mm centres (30° to glass) and nominally 50 mm from each corner.
- 5 Non-combustible / hardwood setting blocks
- 6 80 mm by 45 mm (minimum) softwood or hardwood frame, minimum density 450 kg/m<sup>3</sup>

This Certificate of Approval relates to the sizes of Pyran S glass shown in Table 7 below, when used in conjunction with above system.

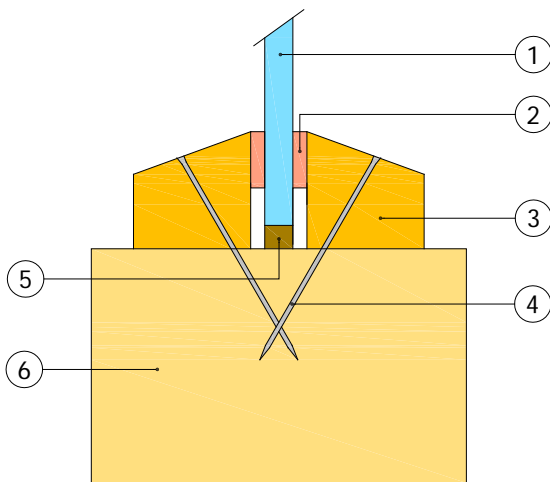
Glass	Maximum Glass Height	Maximum Glass Width	Maximum Glass Area
Pyran S	3629 mm (at 1750 mm wide)	2520 mm (at 2520 mm high)	6.35 m <sup>2</sup>
The aspect ratio of the glass may be unlimited within these glass dimensions.			

Table 7. Maximum Permitted Glass Dimensions

## CERTIFICATE No CF 297 HODGSON SEALANTS (HOLDINGS) LIMITED

### FIRESTRIP 30 GLAZING SYSTEM

Firestrip 30 in timber framed screens for periods of 30 minutes integrity only



- 1 Pyroshield 2
- 2 12 mm by 3 mm 'Firestrip 30' glazing seal
- 3 Hardwood glazing beads 13 mm high by 21 mm wide (minimum) with 20° chamfer, minimum density 610 kg/m<sup>3</sup>
- 4 32 mm long by 1.5 mm steel pins or screws at 150 mm centres (at maximum 45° to vertical) and nominally 50 mm from each corner
- 5 Non-combustible / hardwood setting blocks
- 6 80 mm by 45 mm (minimum) softwood or hardwood frame, minimum density 560 kg/m<sup>3</sup> fixed using minimum 100 mm long by 4 mm diameter screws at maximum 450 mm centres

This Certificate of Approval relates to the sizes of Pyroshield 2 glass shown in Table 8 below, when used in conjunction with above system.

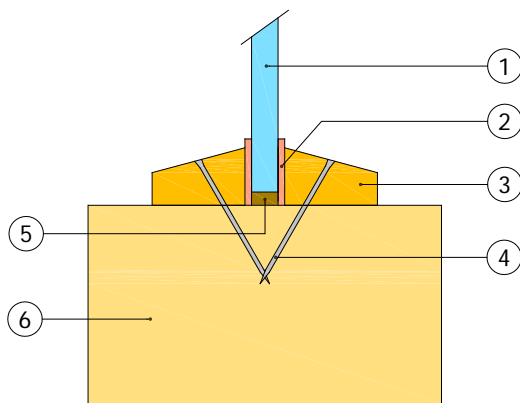
Glass	Maximum Glass Height	Maximum Glass Width	Maximum Glass Area
Pyroshield 2	2632 mm (at 1367 mm wide)	2632 mm (at 1367 mm wide)	3.6 m <sup>2</sup>
The aspect ratio of the glass may be unlimited within these glass dimensions.			

**Table 8. Maximum Permitted Glass Dimensions**

## CERTIFICATE No CF 297 HODGSON SEALANTS (HOLDINGS) LIMITED

### FIRESTRIP 30FD GLAZING SYSTEM

Firestrip 30FD in timber framed screens for periods of 30 minutes integrity only



- 1 Pyroshield 2 / Pyran S / Pyroguard C & W / Firelite
- 2 15 mm by 1.5 mm 'Firestrip 30FD' seal
- 3 Hardwood glazing beads 13 mm high by 21 mm wide (minimum) with 15 – 20° chamfer, minimum density 610 kg/m<sup>3</sup>
- 4 32 mm long steel pins or screws at 150 mm centres (30° to glass) and nominally 50 mm from each corner.
- 5 Non-combustible / hardwood setting blocks setting blocks
- 6 80 mm by 45 mm (minimum) softwood or hardwood frame, minimum density 560 kg/m<sup>3</sup>

This Certificate of Approval relates to the sizes of Pyroshield 2 / Pyran S / Pyroguard C & W / Firelite glass shown in Table 9 below, when used in conjunction with above system.

Glass	Maximum Glass Height	Maximum Glass Width	Maximum Glass Area
Pyroshield 2	875 mm (at 651 mm wide)	758 mm (at 752 mm high)	0.57 m <sup>2</sup>
Pyran S	875 mm (at 651 mm wide)	758 mm (at 752 mm high)	0.57 m <sup>2</sup>
Pyroguard C & W	875 mm (at 651 mm wide)	758 mm (at 752 mm high)	0.57 m <sup>2</sup>
Firelite	875 mm (at 651 mm wide)	758 mm (at 752 mm high)	0.57 m <sup>2</sup>

The aspect ratio of the glass may be unlimited within these glass dimensions

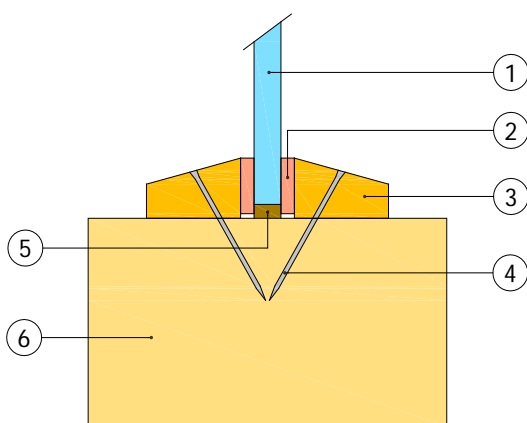
**Table 9. Maximum Permitted Glass Dimensions**

## CERTIFICATE No CF 297

### HODGSON SEALANTS (HOLDINGS) LIMITED

#### FIRESTRIP 30 GLAZING SYSTEM

**Firestrip 30 in timber framed screens for periods of 30 minutes integrity and 0 to 30 minutes insulation**



- 1 Pyroshield 2 / Pyran S / Firelite / Pyroguard C & W / Pyrobelite / Pyrostop / Pyrobel / Pyrodur / Contraflam / Pyranova 15 S2.0/2.1
- 2 12 mm by 3 mm 'Firestrip 30' glazing seal
- 3 Hardwood glazing beads 13 mm high by 21 mm wide (minimum) with 10-20° chamfer, minimum density 650 kg/m<sup>3</sup>
- 4 32 mm long steel pins or screws at 150 mm centres (30° to glass) and nominally 50 mm from each corner.
- 5 Non-combustible / hardwood setting blocks
- 6 80 mm by 45 mm (minimum) softwood or hardwood frame, minimum density 560 kg/m<sup>3</sup>

This Certificate of Approval relates to the sizes of Pyroshield 2 / Pyran S / Firelite / Pyroguard C & W / Pyrobelite / Pyrostop / Pyrobel / Pyrodur / Pyrodur Plus / Contraflam / Pyranova 15 S2.0/2.1 glass shown in Table 10 below, when used in conjunction with above system.

Glass	Maximum Glass Height	Maximum Glass Width	Maximum Glass Area
Pyroshield 2	2632 (at 1367 mm wide)	1900 mm (at 1900 mm high)	3.6 m <sup>2</sup>
Pyran S	2632 (at 1367 mm wide)	1900 mm (at 1900 mm high)	3.6 m <sup>2</sup>
Firelite	2632 (at 1367 mm wide)	1900 mm (at 1900 mm high)	3.6 m <sup>2</sup>
Pyroguard C & W	2000 mm (at 1200 mm wide)	1549 mm (at 1549 mm high)	2.4 m <sup>2</sup>
Pyrobelite	2000 mm (at 1400 mm wide)	1673 mm (at 1673 mm high)	2.8 m <sup>2</sup>
Pyrostop	2000 mm (at 1400 mm wide)	1673 mm (at 1673 mm high)	2.8 m <sup>2</sup>
Pyrobel	2000 mm (at 1400 mm wide)	1673 mm (at 1673 mm high)	2.8 m <sup>2</sup>
Pyrodur	2000 mm (at 1400 mm wide)	1673 mm (at 1673 mm high)	2.8 m <sup>2</sup>
Pyrodur Plus	2050 mm (at 1790mm wide)	2050 mm (at 1790 mm high)	3.7 m <sup>2</sup>
Contraflam*	2000 mm (at 1400 mm wide)	1673 mm (at 1673 mm high)	2.8 m <sup>2</sup>
Pyranova 15 S2.0/2.1	2000 mm (at 1400 mm wide)	1673 mm (at 1673 mm high)	2.8 m <sup>2</sup>

The aspect ratio of the glass may be unlimited within these glass dimensions.

\* The frame section width shall be increased to compensate for the glass thickness above 6mm

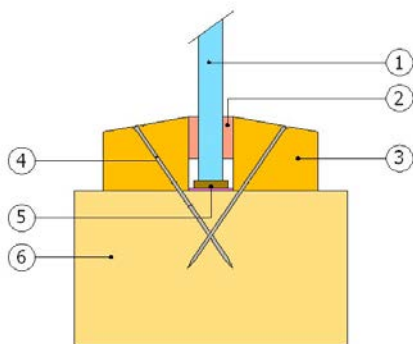
**Table 10. Maximum Permitted Glass Dimensions**

## CERTIFICATE No CF 297 HODGSON SEALANTS (HOLDINGS) LIMITED

### FIRESTRIP 30 GLAZING SYSTEM

#### Firestrip 30 in timber framed screens for periods of 30 minutes integrity only

The glass shall be glazed utilising the following basic specification:



- 1 ESG PYROTECH™ 630 glass (edge of glass wrapped with Aluminium foil) or laminate construction s utilising combinations of approved ESG PYROTECH™ Fire Resistant Glass (see CF628 for glass options)
- 2 Hodgson Sealants Firestrip 30
- 3 15mm high, X 22mm long (chamfered by 15°) softwood, MDF or hardwood glazing beads, minimum density 510 kg/m<sup>3</sup>. The beads shown in the drawing can be extended in width to form a bolection bead.
- 4 40 mm long Ø1.5 mm steel pins at 150 mm centres and 50 mm from corners (35° to glass).
- 5 Optional non-combustible setting blocks (not required).
- 6 90 mm by 40 mm (minimum) hardwood framing sections, minimum density 640 kg/m<sup>3</sup>.

This Certificate of Approval relates to the sizes of ESG PYROTECH™ 630 glass shown in Table 11 below, when used in conjunction with the above system. The maximum permitted overall screen height is 4000 mm.

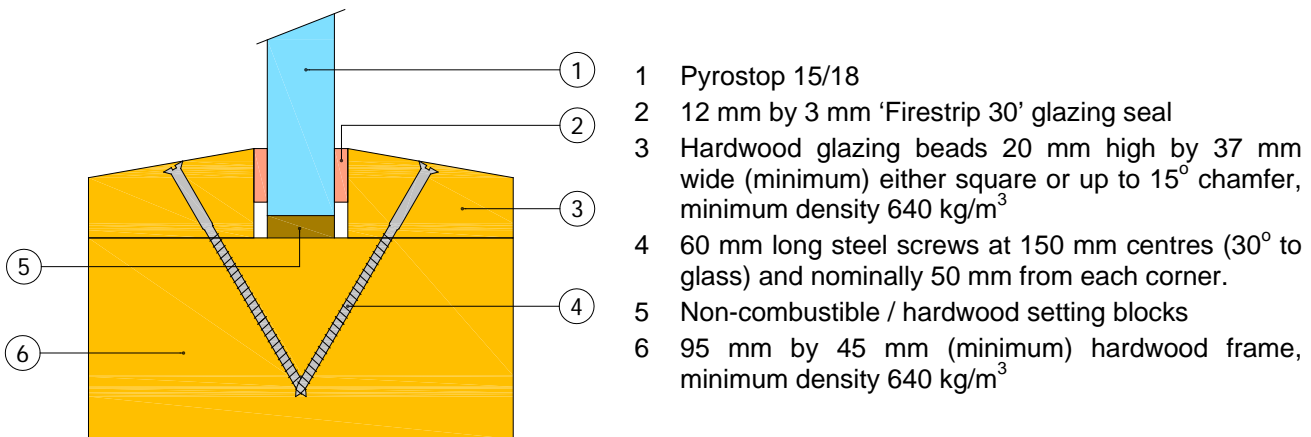
Glass	Maximum Glass Height	Maximum Glass Width	Maximum Glass Area
ESG PYROTECH™ 630	1437 mm (at 600mm wide)	750 mm (at 1150 mm high)	0.86 m <sup>2</sup>
The aspect ratio of the glass may be unlimited within these glass dimensions.			

**Table 11. Maximum Permitted Glass Dimensions**

## CERTIFICATE No CF 297 HODGSON SEALANTS (HOLDINGS) LIMITED

### FIRESTRIP 30 GLAZING SYSTEM

Firestrip 30 in timber framed screens for periods of 30 minutes integrity and insulation



This Certificate of Approval relates to the sizes of Pyrostop 15/18 glass shown in Table 12 below, when used in conjunction with above system.

Glass	Maximum Glass Height	Maximum Glass Width	Maximum Glass Area
Pyrostop 15/18	3629 mm (at 1750mm wide)	2520 mm (at 2520 mm high)	6.35 m <sup>2</sup>
The aspect ratio of the glass may be unlimited within these glass dimensions.			

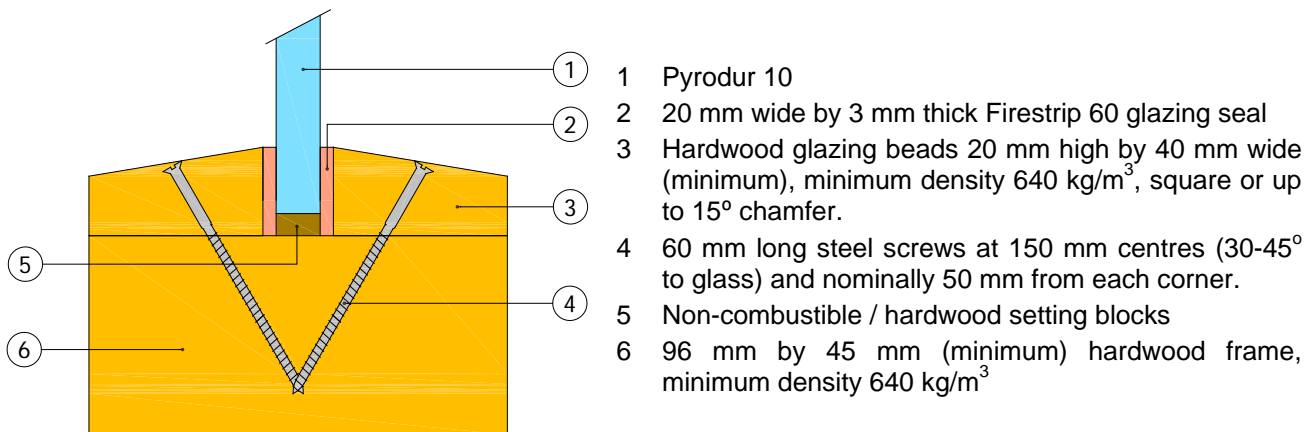
Table 12. Maximum Permitted Glass Dimensions



## CERTIFICATE No CF 297 HODGSON SEALANTS (HOLDINGS) LIMITED

### FIRESTRIP 60 GLAZING SYSTEM

Firestrip 60 for use in timber screens for periods of 60 minutes integrity only



This Certificate of Approval relates to the sizes of Pyrodur 10 glass shown in Table 13 below, when used in conjunction with the above system.

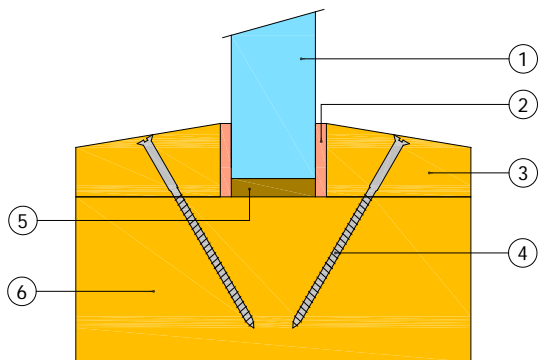
Glass	Maximum Glass Height	Maximum Glass Width	Maximum Glass Area
Pyrodur 10	2200 mm (at 900 mm wide)	1407 mm (at 1407 mm high)	1.98 m <sup>2</sup>
The aspect ratio of the glass may be unlimited within these glass dimensions			

Table 13. Maximum Permitted Glass Dimensions

## CERTIFICATE No CF 297 HODGSON SEALANTS (HOLDINGS) LIMITED

### FIRESTRIP 60 GLAZING SYSTEM

Firestrip 60 for use in timber screens for periods of 60 minutes integrity and insulation



- 1 Pyrostop 23
- 2 20 mm wide by 3 mm thick Firestrip 60 glazing seal
- 3 Hardwood glazing beads 20 mm high by 40 mm wide (minimum), minimum density 640 kg/m<sup>3</sup>, square or up to 15° chamfer.
- 4 60 mm long steel screws at 150 mm centres (30-45° to glass) and nominally 50 mm from each corner.
- 5 Non-combustible / hardwood setting blocks
- 6 109 mm by 45 mm (minimum) hardwood frame, minimum density 640 kg/m<sup>3</sup>

This Certificate of Approval relates to the sizes of Pyrostop 23 glass shown in Table 14 below, when used in conjunction with the above system. The aspect ratio of the glass may be unlimited within these aperture dimensions.

Glass	Maximum Glass Height	Maximum Glass Width	Maximum Glass Area
Pyrostop 23	2250 mm (at 800 mm wide)	1000 mm (at 1800 mm high)	1.80 m <sup>2</sup>
The aspect ratio of the glass may be unlimited within these glass dimensions			

Table 14. Maximum Permitted Glass Dimensions